

### INSULATING PLASTIC STRAPS

These straps are 1,10 mm thick and prevent the steel strap and the support coming into contact with the air tank. They have their own fastening system and remain in position when fastened. Sold individually in a plastic bag.

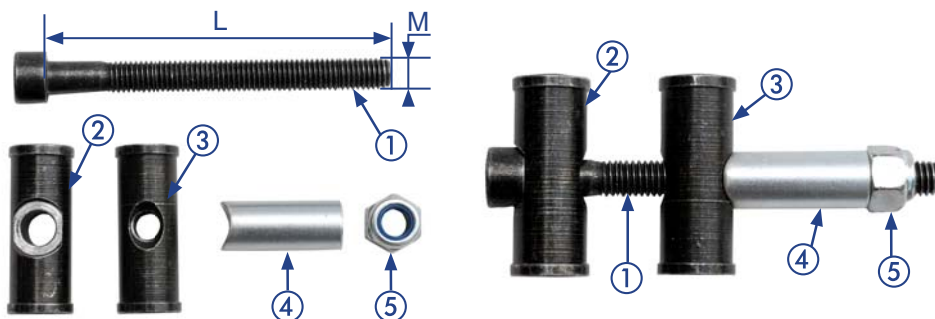


ALK Ref.	Tank Diameter = D	A	L	ALK Ref.	Tank Diameter = D	A	L
83.150.00	150	40	546	83.300.00	300	40	1017
83.200.00	200	40	703	83.310.00	310	40	1048
83.206.00	206	40	722	83.350.00	350	40	1174
83.246.00	246	40	847	83.396.00	396	40	1318
83.250.00	250	40	860	83.400.00	400	40	1331
83.276.00	275-276	40	942				

Dimensions in millimetres  
D = External Diameter of the Tank in mm

### LOCKING SYSTEM

Identical for all clamps, it consists of an M8 "Allen" screw (1), with a trunnion Dia:16 mm non-threaded (2), with a trunnion Dia:16 mm threaded (3), with a security tip (4) and a Nylstop safety nut (5). Available in ST37 steel "Autoblack" or stainless steel. Sold individually in a plastic bag.



ALK Ref.	Tank Diameter = D	M	L	Material
85.000.00	All diameters	M8	90	ST37 Autoblack steel
86.000.00	All diameters	M8	90	SS409 stainless steel

Dimensions in millimetres  
D = External Diameter of the Tank in mm